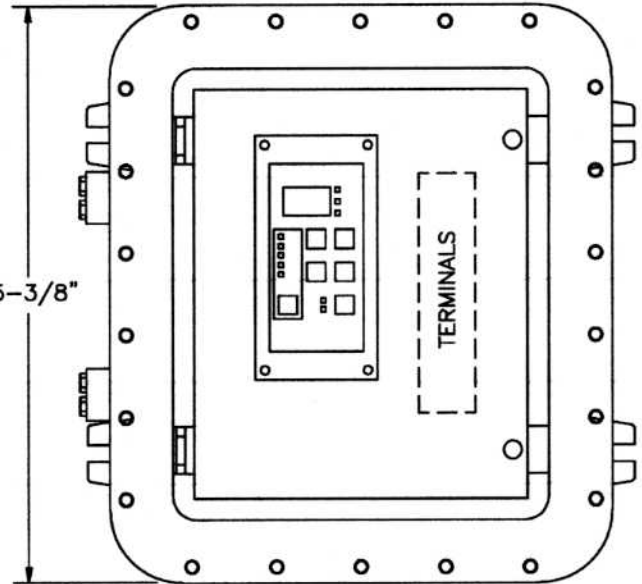
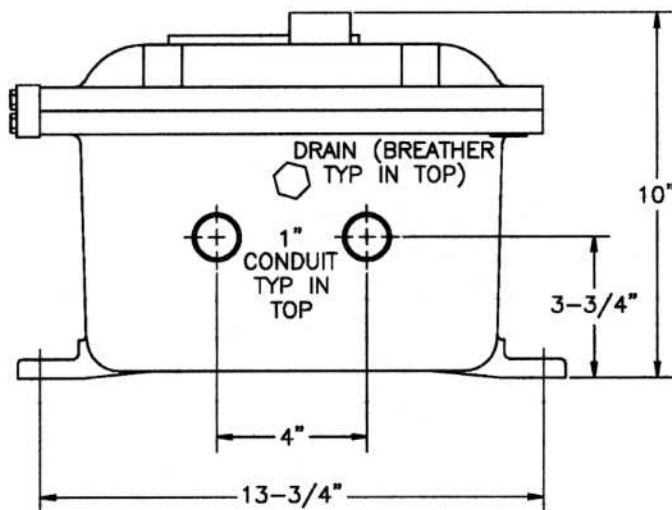


FRONT ELEVATION



INTERIOR LAYOUT



BOTTOM VIEW

PMP25XP PUMP MONITOR INCLUDES:

- LOAD CONTROLS INC. MODEL PMP-25 IN A NEMA 7/4 ENCLOSURE, EXPLOSION PROOF AND WATERTIGHT, APPROVED FOR USE IN CLASS I, DIV. 1, 2, GROUP C, D CLASS 1, ZONE 1, GROUP IIB
- BREATHER IN TOP
- DRAIN IN BOTTOM
- 3" WINDOW FOR VIEWING MONITOR
- EXTERNAL RESET BUTTON
- HINGED DOOR
- LARGE TERMINAL STRIP MOUNTED ON BACK PANEL BEHIND SWING PLATE. AND WIRED TO PMP TERMINAL PLUG.
- WEIGHT IS APPROX 60 LBS.
- CURRENT SENSING TOROID IS SUPPLIED LOOSE AND UNMOUNTED.

DATE 7-30-1999

DRAWN BY OBEE

LAYOUT



Automation Control Co., Inc.
11914 Cloverland Court
Baton Rouge, LA 70809
(504) 755-0333

EXPLOSION-
PROOF
PUMP
MONITOR

REVISED 9-17-2002

REVISION NO. THREE

DRAWING NUMBER

DVD05VD