

# NEW! Fast Response Compact Digital Load Controls

## LOAD CONTROLS PROTECT VALUABLE EQUIPMENT FROM PROBLEMS AND DAMAGE

- Overloads
- Loss of Load
- Jams
- Missing Tools
- Obstructions
- Misplaced Parts
- Sudden Load Change

### TRUE POWER LOAD DISPLAY

Versatile - Can Display

- % of Full Load
- Horsepower
- Kilowatts

### FAST RESPONSE

- 10 times faster than typical load controls

### EASY FRONT PANEL SETUP

- See all of your settings with a touch of a button

### RUGGED ENCLOSURE

Designed to fit in many places

- On Starter Door
- On Raceway
- Panel Mount - With Bezel Kit
- On Wall - With Standard Outlet Box Kit

### COMPACT

- Only 3 1/4" x 6 1/4" x 2"

### 4-20 MILLIAMP ANALOG OUTPUT

Send load information to

- Computers
- Chart Recorders
- Data Loggers



### ADJUSTABLE SET POINTS

**Low Trip** - When load is below the Low Trip, the built-in relay will trip.

**High Trip** - When the load is above the High Trip, the built-in relay will trip.

### RATE OF CHANGE

- Trips when rate of load change exceeds the selected rate.

### FILTER OUT NUISANCE TRIPS

- Adjustable Digital On-Delay Timers - Trip won't activate until the selected delay time is exceeded.
- Adjustable Digital Start-up Timer - No false trips while motor is starting.

### 3 WAYS TO RESET

Local - Button on Control

Remote - With Low Current Switch or Relay

Automatic - With Jumper

**Latching Relays** - You choose when to reset

**Form C Relays** - Give you both Normally Open and Normally Closed Contacts



### UNIQUE RANGE FINDER TOROID

- One sensor for capacities from fractional up to 50 HP (Up to 150 Amps for CR-150)
  - Change capacity with Dip Switches
  - Use optional Current Transformers for big motors



## PFR-1550

### Single Set Point Load Control

- Overload or Loss of Load
- Power Sensing for best sensitivity
- High Trip or Low Trip selectable



## ROC-50

### Rate of Change Load Control

- Ideal for conveyors and material handling equipment
- Detects sudden changes in load
- Power Sensing for best sensitivity
- Rate of Change Set Point plus Gross Overload Set Point



## PFR-1750

### Two Set Point Load Control

- Sound alarm and stop process
- Power Sensing for best sensitivity



## CR-150

### Single Set Point Current Sensor

- Good for overload protection
- Simple installation

### FREE 30 DAY TRIAL AVAILABLE

Model PFR-1550 \$495

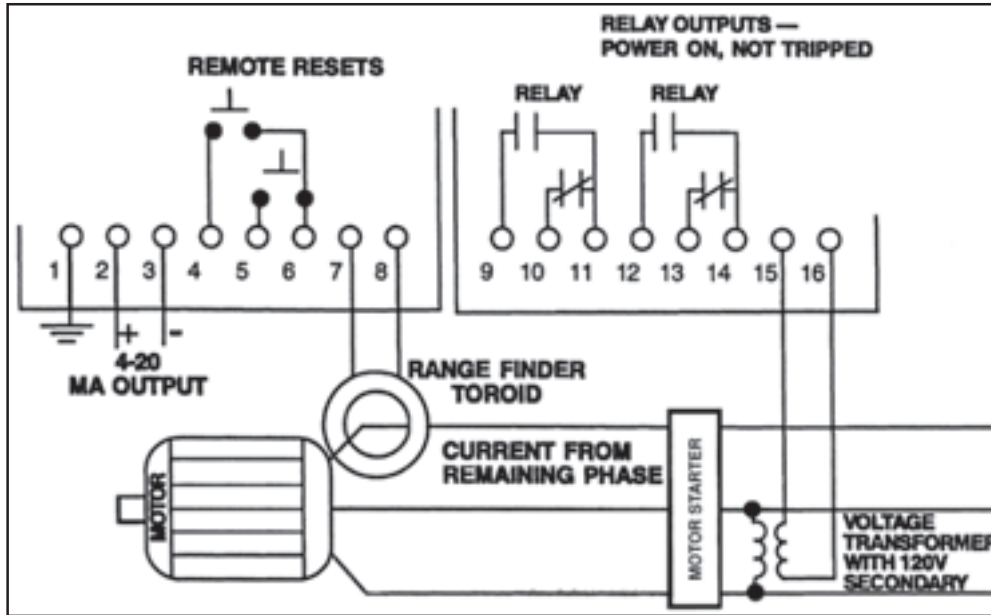
Model ROC-50 \$600

Model PFR-1750 \$600

Model CR-150 \$295

- Add \$75 For Current Transformer for Motors Larger than 50 HP
  - Specify Bezel Kit for Panel Mount
  - Specify Outlet Box Kit for Wall Mount
  - Optional Lockout Switch \$50
- Rear switch disables Enter button*

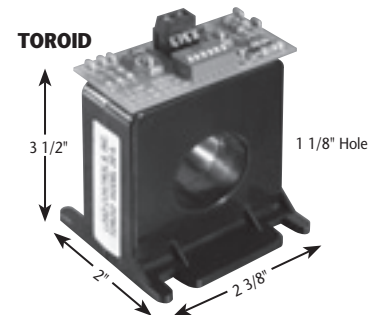
# Typical Connections



Complete installation information available at [loadcontrols.com](http://loadcontrols.com)

## SPECIFICATIONS

<b>Enclosure</b>	Glass-filled Polycarbonate (3 1/4" x 6 1/4" x 2") (83mm x 160mm x 54mm)
<b>Mounting Options</b>	On door, in cabinet Panel mount with Bezel Kit On wall with outlet Box Kit
<b>Wiring</b>	Unpluggable Terminal Strips on Rear
<b>Load Display</b>	.4" LED 3 Digit
<b>Capacity</b>	To 50 HP directly through Toroid (150 Amps for CR-150) Larger motors with Current Transformer & Toroid Change capacity with Dip Switches
<b>Timers</b>	Start Up and Trip Delay(s) 0-90 second 0-2 second in .1 second increments 2-90 second in 1 second increments
<b>Relay Output(s)</b>	(1) or (2) Form C 3 AMP @ 300 VAC or 1/8 HP @ 240 VAC Latch when tripped
<b>Analog Output</b>	4-20MA; powered by the Control, 500 OHM maximum connected impedance
<b>Response Time</b>	25 Milliseconds
<b>Temperature</b>	0 C - 55 C
<b>Power Consumption</b>	2 VA



# Variable Frequency Power

## MEASURING POWER ON THE OUTPUT OF A VARIABLE FREQUENCY DRIVE IS A SPECIAL CASE

- Voltage and Current Transformers do not work at low frequencies
- The waveform on both the input and output of a drive is distorted

The Universal Power Cell uses Hall Effect sensors that are not affected by odd waveshapes or frequencies. Also, no Voltage or Current Transformers are used. It works on the output of a drive and can be combined with a modified "V" Series Load Control.

